

## Verona Mirror – Assembly Guide

**IMPORTANT READ CAREFULLY – RETAIN FOR FUTURE REFERENCE**

**Thank you for buying the Verona Mirror**

- Please take a few quiet minutes to read these instructions
- It is recommended that this product is assembled by two adults
- This product contains small parts, keep small children clear of the assembly area

### **PRODUCT SAFETY**

- All assembly fastenings should always be tightened properly and care should be taken that no fittings are loose
- Periodically check and ensure that all components are in their proper position, free from damage, and that all connectors are tight

### **PRODUCT CARE**

- Wipe clean using a soft damp cloth followed by dry cloth
- Do not use abrasives or cleaning product which may contain ammonia or solvents
- Take care when handling or moving the furniture. Careless handling can damage wooden furniture, try to lift rather than drag

### **ASSEMBLY**

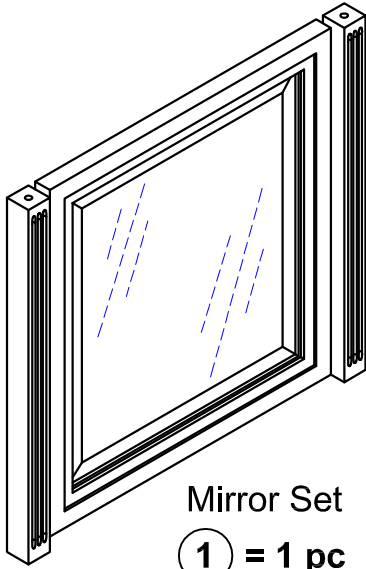
- Please use Allen key (included) to assemble the Verona Mirror



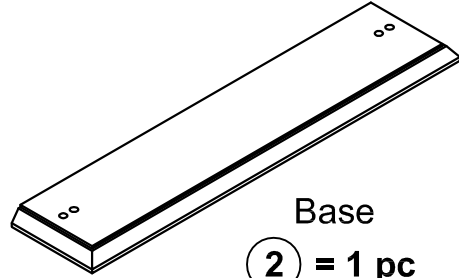
# ASSEMBLY INSTRUCTIONS

## VERONA MIRROR

### Parts List



Mirror Set  
① = 1 pc

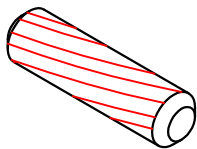


Base  
② = 1 pc

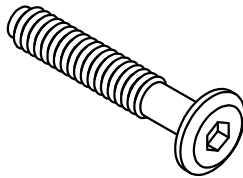


Finial  
③ = 2 pcs

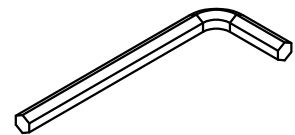
### Hardware List



Dowel  
Ⓐ = x 2



Bolt  
Ⓑ = x 2

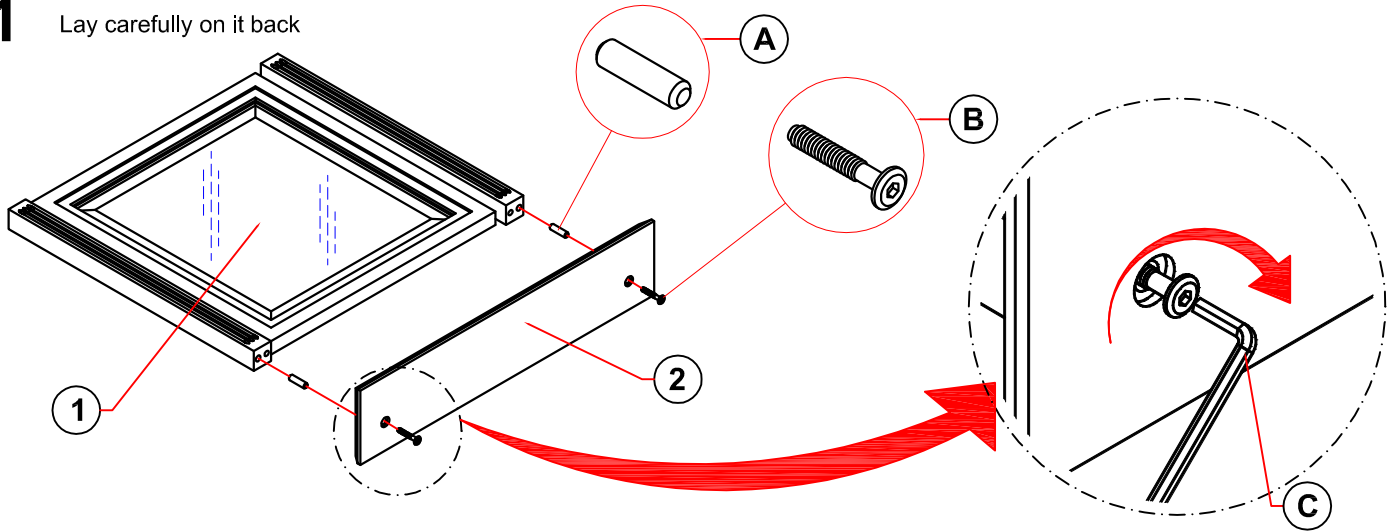


Allen Key  
Ⓒ = x 1

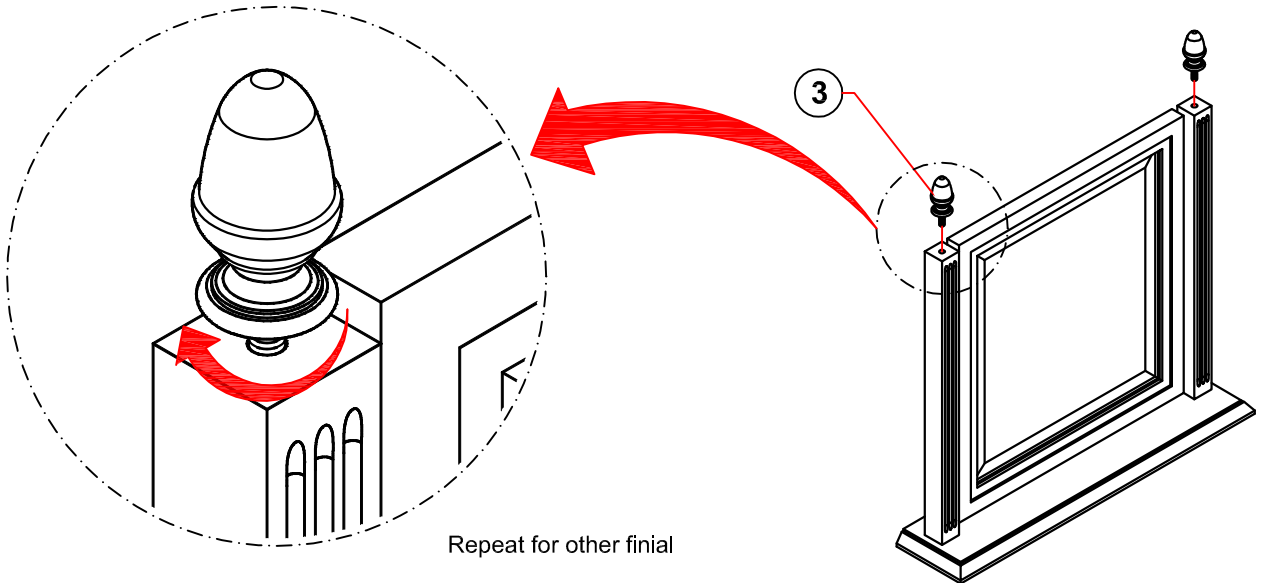
# ASSEMBLY INSTRUCTIONS

## VERONA MIRROR

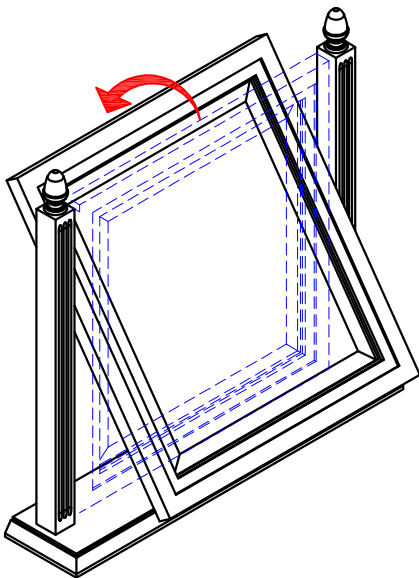
**1** Lay carefully on it back



**2**



**3** Take care when adjusting mirror angle from top, holding base in case of tipping.



**4** If after time the mirror is loose, please adjust by tightening back hinge screws (outside edges only) as shown

